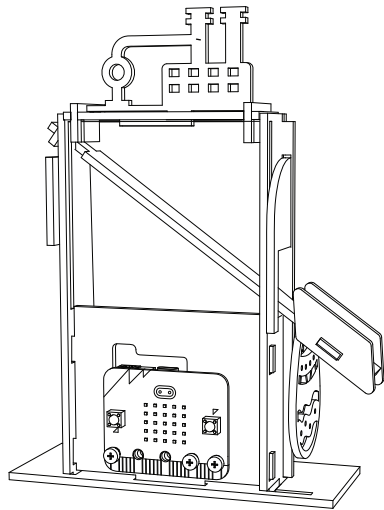
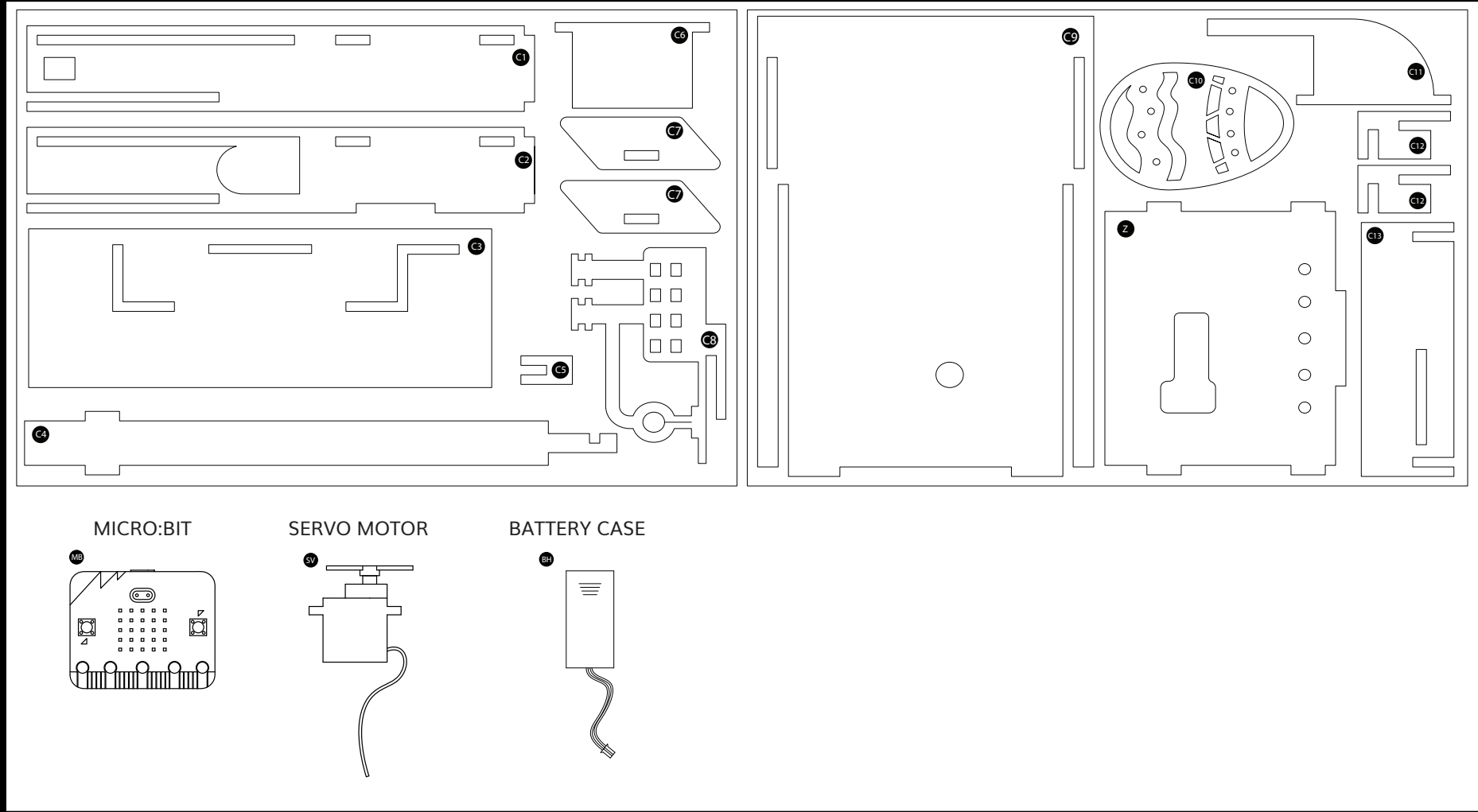


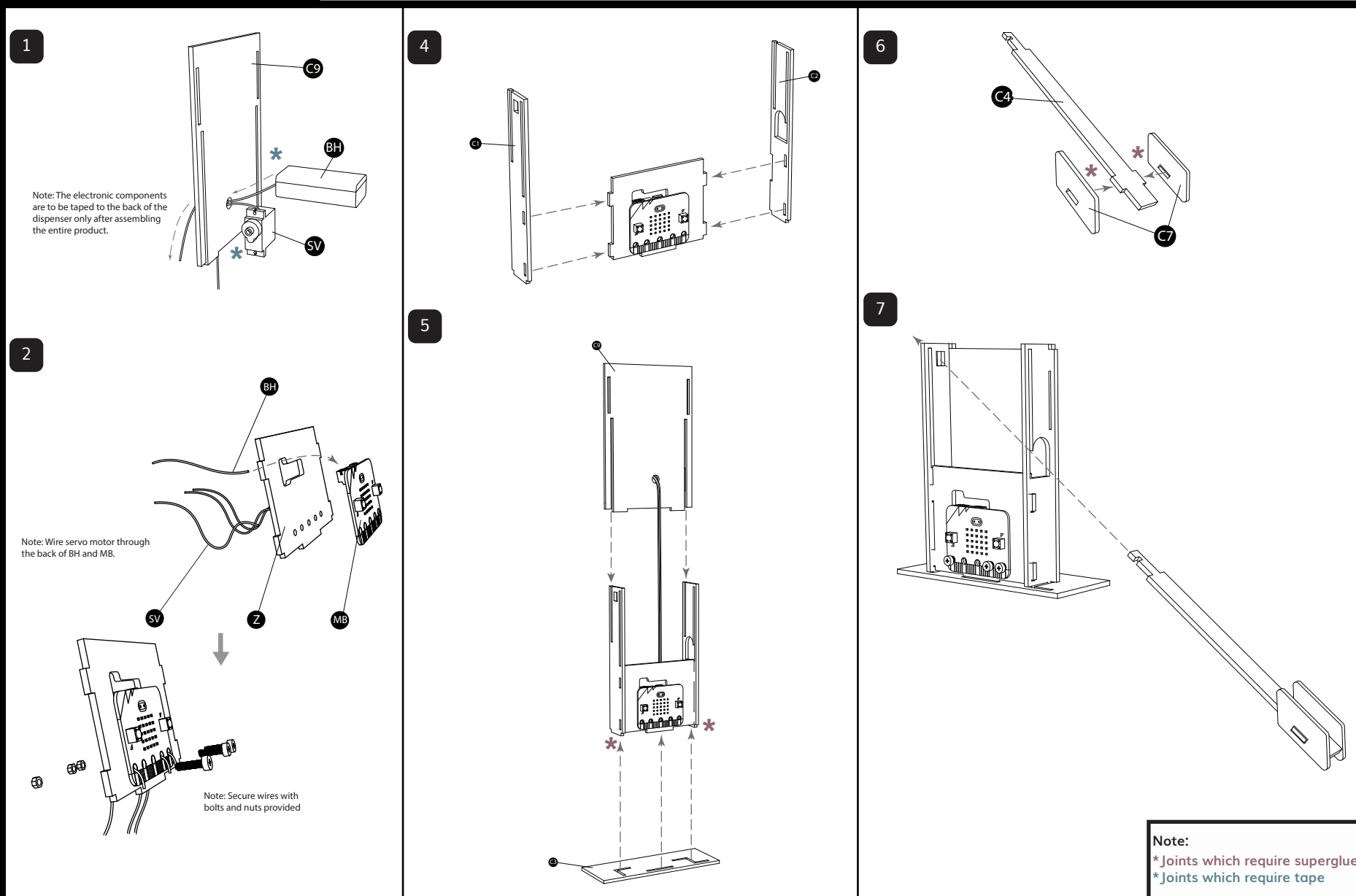
CANDY CRUSHER



COMPONENTS:

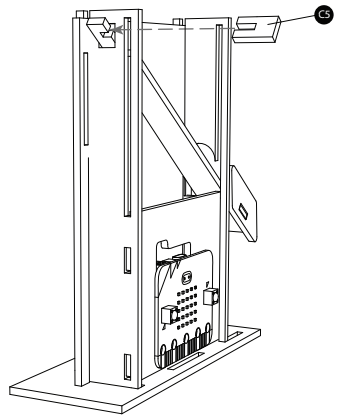


ASSEMBLY INSTRUCTIONS:

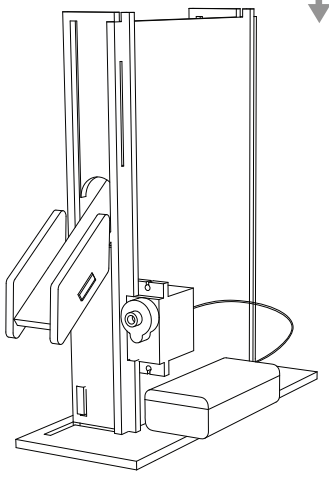
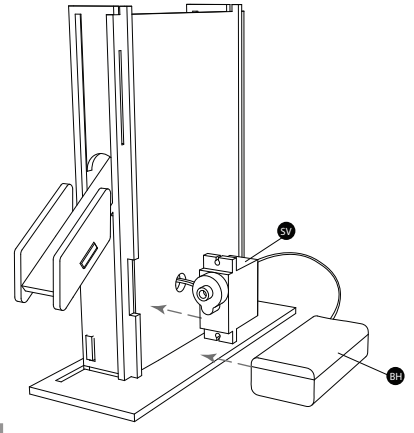


ASSEMBLY INSTRUCTIONS:

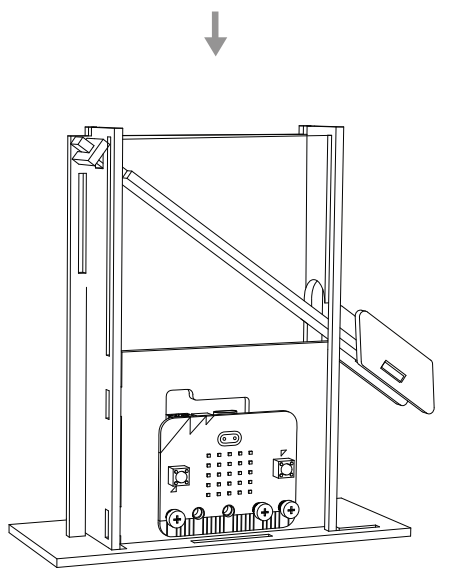
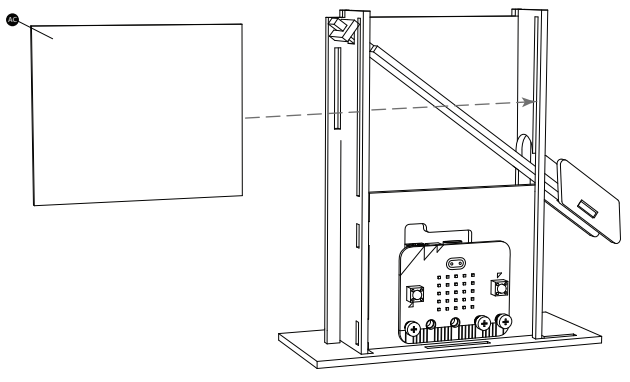
8



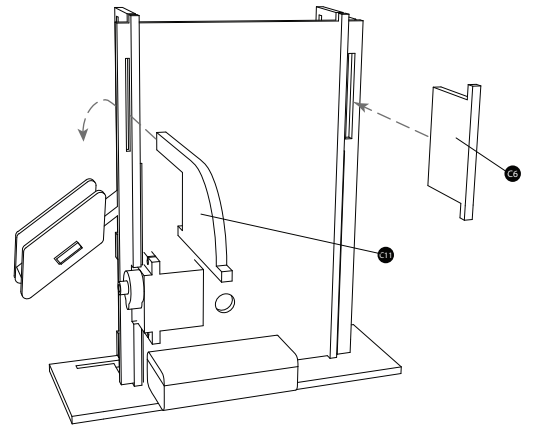
9



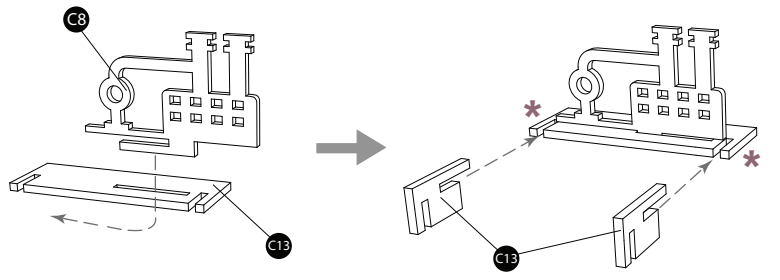
10



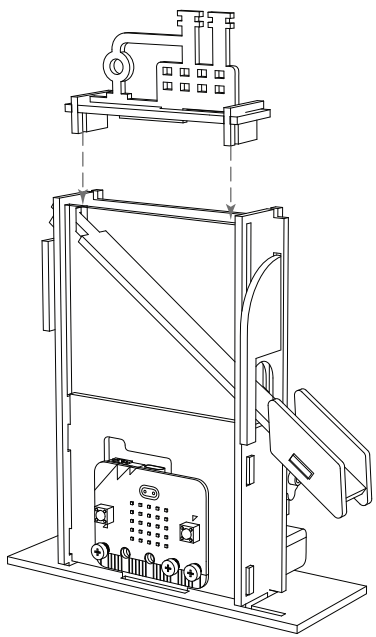
11



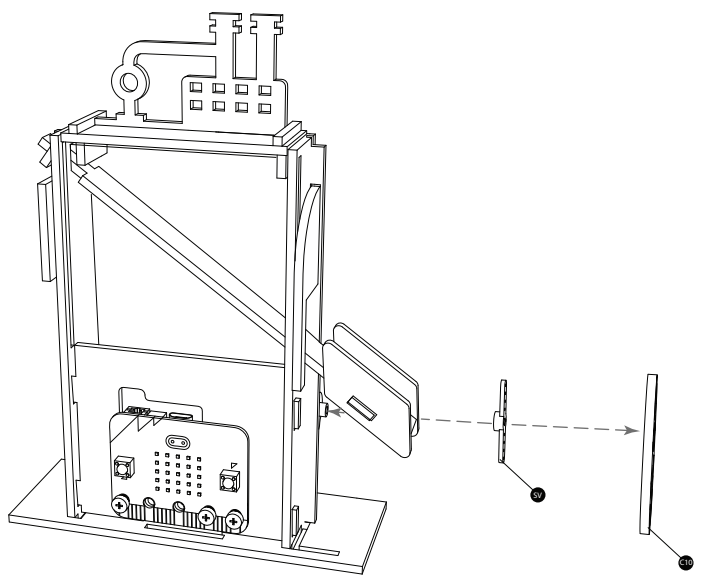
12



13



14



Note:
* Joints which require superglue
* Joints which require tape